

ZOLLER
PRESETTING SOLUTIONS



The horizontal presetter and measuring machine for use with turning machines

hyperion

ZOLLER
expect great measures®

ZOLLER

solutions

ZOLLER solutions - comprehensive optimization of your manufacturing operations to increase quality, efficiency and productivity. To do this, we combine machines, software and services to create individual system solutions that guarantee you a sustainable and competitive advantage.

The ZOLLER company is a worldwide expert and market leader in the field of metrology for tools and tool-based manufacturing organization. ZOLLER has been developing innovative tool presetter and measuring machines as well as software for measuring, inspection and the management of metal cutting tools for over 65 years.

In close cooperation with our customers and partners, we develop practice-oriented and user-friendly leading edge technology at our facilities in Germany, a commitment now in its third generation of the family-run business. Certified according to DIN EN ISO 9001:2008 and DIN EN ISO 14001:2004 for quality and environmental management, we manufacture durable quality products which excel by highest precision and maximum efficiency.

Our worldwide subsidiaries and agents guarantee customer proximity and a first class service in local markets. Our declared aspiration is that products with our name fully satisfy your requirements and make a measurable contribution to your success.

Your family ZOLLER

Alexander Zoller, Christoph Zoller, Eberhard Zoller





»hyperion 300 – pilot 3.0«

Contents

ZOLLER solutions

02___ System solutions to give you a competitive advantage

Tool presetter and measuring machine »hyperion«

- 06___ 20 % more productivity starting with batch size 1
- 08___ For numerous tool holding fixtures – »hyperion«
- 10___ As stand-alone unit directly next to the machine tool – »hyperion 300« without turret table
- 12___ For a wide array of tool holding fixtures and systems – »hyperion 300« with turret table
- 14___ For up to 12 tool holding fixtures simultaneously – »hyperion 500/700«
- 16___ ZOLLER turret tables – well thought out and easy to operate
- 18___ Universal holding fixture and tool post – for guaranteed fast changes
- 19___ Basic holding fixture GA/GA-PP and adapter – for virtually all tool systems
- 20___ Optic adjustment ± 50 mm – precise measurement of Y-axis
- 21___ Center height measuring device – presetting to center height

Image processing »pilot 3.0«

22___ Ready for virtually any requirement – fast and simple

Tool management and service

24___ SOFTWARE SOLUTIONS – simply better organized
BUSINESS SOLUTIONS – service all the way

ZOLLER worldwide

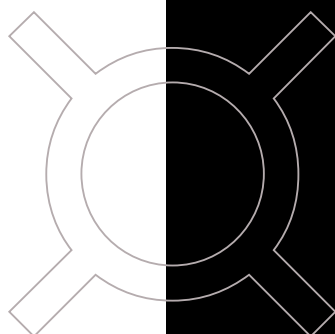
26___ At your call everywhere – addresses of subsidiaries and agents

Starting with batch size 1

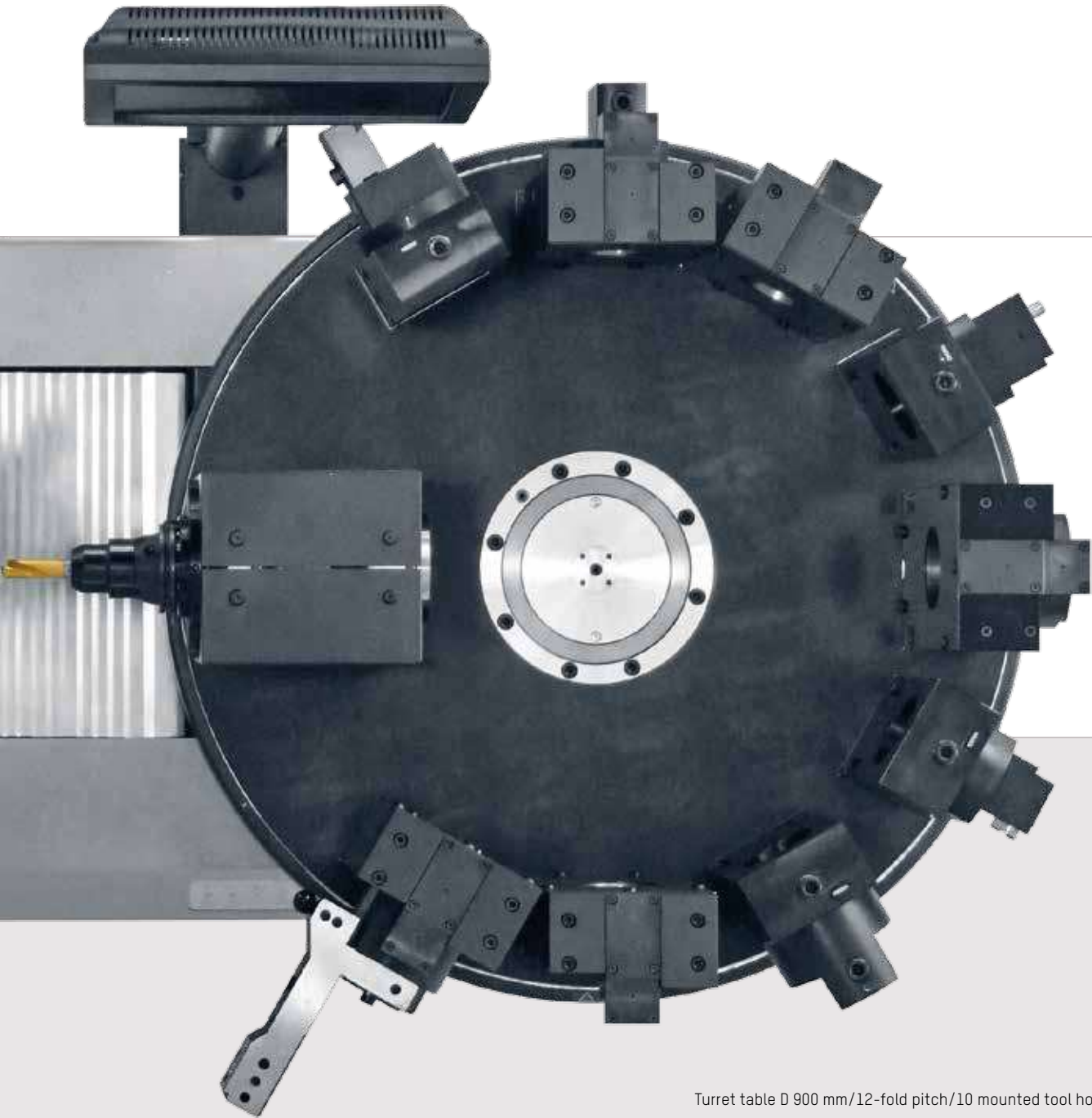
20% more productivity

The universal tool presetter and measuring machines of the ZOLLER »hyperion« series guarantee maximum efficiency and flexibility of horizontal tool holding in CNC manufacturing. Tools of virtually all tool systems are measured and preset fast, easily and reliably. This means fewer rejects and machine downtimes, better quality and increased productivity - and greater profits. In short: with ZOLLER »hyperion« you produce efficiently, on time, profitably with perfect quality.

- Increased productivity of your manufacturing operations by at least 20% by using measured and preset tools
- Competitiveness through lower production costs
- Automatically safe selection of adapters results in less machine crash and correct measured results at all times
- Virtually no need to change tool holding fixtures through use of various tool holding fixtures mounted on the turret table
- Extremely simple operation results in minimum training requirements and motivated employees
- Low maintenance requirements due to use of high quality brand products
- In every case you will benefit from absolute leading edge technology and more than 65 years of ZOLLER know-how



more efficiency
more flexibility
more profits



Turret table D 900 mm/12-fold pitch/10 mounted tool holding fixtures

For numerous tool holding fixtures

»hyperion«

Universal geniuses still exist, despite the high levels of specialization. For example, the ZOLLER »hyperion 300/500/700«. Whether you want to preset tools for turning machines or milling centers – with the ZOLLER »hyperion 300/500/700« a single measuring machine is sufficient for nearly all your different tool fixtures. This does not only let you save time and money, but also you benefit from a significant increase in productivity by using measured and preset tools.

»hyperion 300/500/700« are the universal horizontal tool presetting and measuring machines for CNC manufacturing. A variety of tool holding fixtures can be mounted on a turret table allowing quick and straightforward access. The series can be adapted to your specific needs by various measuring ranges, three sizes of turret tables and the superior ZOLLER image processing

system »pilot 3.0«: absolutely ideal, if not only rotating tools, but also lathe cutting tools and tools for automatic multi-spindle lathes are to be preset and measured in your company. With the »hyperion 300/500/700« you have a measuring machine for virtually all tool systems and will always stay that decisive step ahead of the competition.

universal
time-saving
accurate

- Easy to operate owing to intuitive ZOLLER software user interface and comfortable operating elements
- Fast and accurate through high performance ZOLLER image processing technology
- Robust and workshop-oriented through special alloys and optimized thermal design
- Process-safe due to intelligent software and maximum safety standards
- Ergonomic, owing to functional and proven design
- Flexible, as a result of modular design and upgradeable software
- Economic, due to best price-performance ratio
- Environment-friendly due to use of recyclable materials and compliance with the RoHS standard

Top performance through high quality components

Bosch pneumatics

Sony camera and special
ZOLLER optics from Jena

Heidenhain measuring system



ZOLLER
PRESETTING SOLUTIONS



»hyperion 300 – pilot 3.0«

»hyperion 500 – pilot 3.0«

Subject to technical modifications. The depicted machines may include options, accessories and control variants.

Uhing drive

THK recirculating linear ball bearing guide

Calibration gauge image processing



As stand-alone unit directly next to the machine tool

»hyperion 300« without turret table

A host of applications at an attractive price: the basic model of the »hyperion 300« without turret table and its universal basic holding fixture for a large variety of tool holding fixtures offers all the options for presetting and measuring tools.

The ZOLLER »hyperion 300« model without turret table is equipped with a universal basic holding fixture which allows manual or power-operated clamping of virtually all different tool holding fixtures.

With this ZOLLER »hyperion 300« you will have made a decision in favor of maximum universality and a favorable price-performance ratio.

accurate
suitable for shop floor conditions
can be adapted individually



Always the correct holding fixture for the chosen application

ZOLLER basic holding fixture GA-PP for quick adapter change. Adapters can be supplied for virtually all tool systems. Adapters and tool holders are clamped pneumatically. Without photo: ZOLLER basic holding fixture GA for manual clamping of adapters and tool holders.

ZOLLER universal holding fixture HGH-UZ. Tool posts and clamping elements are available for steep tapers, hollow shank tapers HSK, Capto, Kennametal and many others, universal holding fixture HGH-UZ can be turned, with 4 x 90° indexing and clamping in any position. All power-operated functions are controlled via a membrane keyboard on the ZOLLER measuring machine.

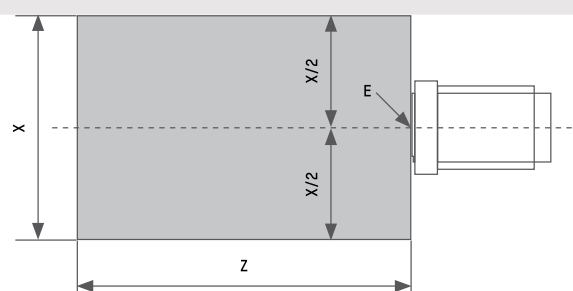
Gölsenbodt basic holding fixture for clamping plates and rapid-change holders for single and multiple spindle automatic lathes. Basically, any tool holder change system can be fitted to the »hyperion 300«.



»hyperion 300 – pilot 3.0« without turret table

The basic variant with attractive price-performance ratio

Technical specification	Length Z-axis	Transversal X-axis
»hyperion 300« without turret table	350 mm	300 mm ± 150 mm



Subject to technical modifications. The depicted machines may include options, accessories and control variants.

For a wide array of tool holding fixtures and systems

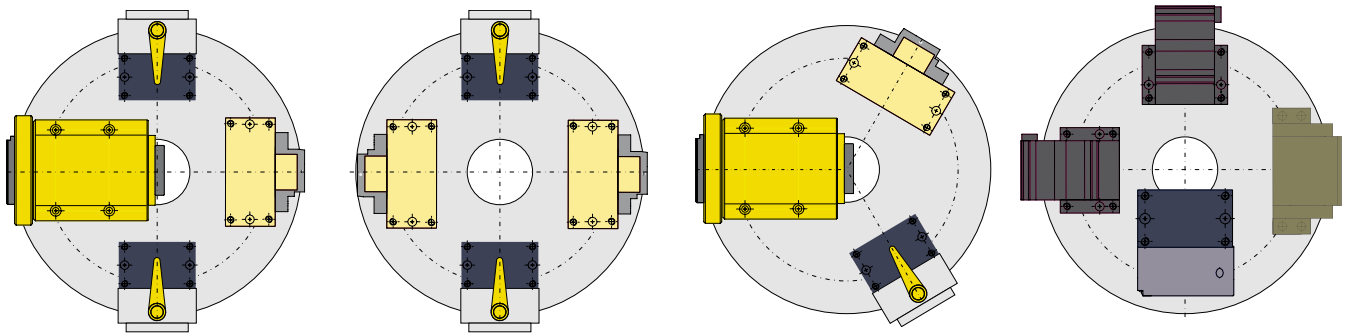
»hyperion 300« with turret table

The benefits of the ZOLLER »hyperion 300« are enhanced even more by adding a turret table. This can be fitted with 2, 3 or 4 large tool holding fixtures to increase speed and operator-friendliness even further.

fast
universal
operator-friendly

The robust turret table makes the use of the »hyperion 300« even more flexible: by swiveling the turret table, the user always has the correct tool holding fixture in the measuring range. The number of adapters and tool posts that can be used is virtually unlimited for

the ZOLLER basic and universal holding fixtures. Special tool holding fixtures can also be fitted for specific tool systems, e.g. Göltensbodt. Virtually any tool holder change system can be fitted to the turret table.



Turret table D 450: design and mounting examples

Mounting example with universal holding fixture HGH-UZ, two basic holding fixtures GA and a basic holding fixture GA-PP.

Mounting example with two basic holding fixtures GA and two basic holding fixtures GA-PP for power clamping.

Mounting example with universal holding fixture HGH-UZ, basic holding fixture GA and basic holding fixture GA-PP.

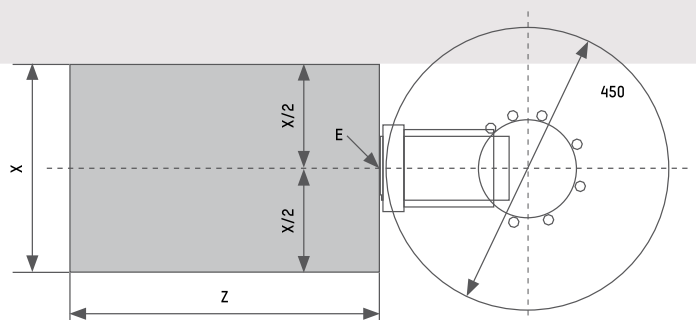
Mounting example with various tool holding fixtures for different tool systems, such as Schütte, Index, Traub TNL18 and many others.



»hyperion 300 – pilot 3.0« with turret table D = 450 mm,
Optic adjustment ± 50 mm and center height measuring device camera

Flexible turret table loading as required

Technical specification	Length Z-axis	Transversal X-axis
»hyperion 300« with turret table	350 mm	300 mm ± 150 mm



For up to 12 tool holding fixtures simultaneously

»hyperion 500/700«

The ZOLLER »hyperion 500/700« are nearly always equipped with a turret table. The turret tables are available in the sizes 745 mm and 900 mm with 4, 6, 8 or 12 partitions. You can't be more universal than that! And all that at maximum precision, best possible ease of use and - upon request - with innovative tool management.

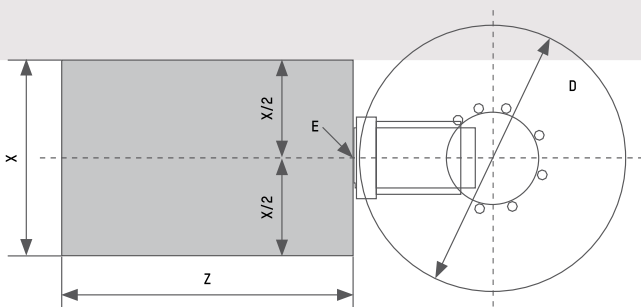
fast
accurate
universal

Save on continuously changing tool holding fixtures by fitting the turret table with the most commonly used holding fixtures. This makes work easier for your employees, saves valuable time and increases productivity and competitiveness. So easy.



»hyperion 500 – pilot 3.0«
with turret table D = 745 mm,
optic adjustment ± 50 mm and
center height measuring device camera

Greater productivity through time-saving work



Subject to technical modifications. The depicted machines may include options, accessories and control variants.

Technical specification	Length Z-axis	Transversal X-axis
»hyperion 500« without turret table	500 mm	400 mm
with turret table D 745	400 mm	400 mm
with turret table D 900	325 mm	400 mm
»hyperion 700« without turret table	700 mm	500 mm
with turret table D 745	600 mm	500 mm
with turret table D 900	525 mm	500 mm



»hyperion 700 – pilot 3.0« with turret table D = 900 mm,
Optic adjustment ± 50 mm and center height measuring device camera

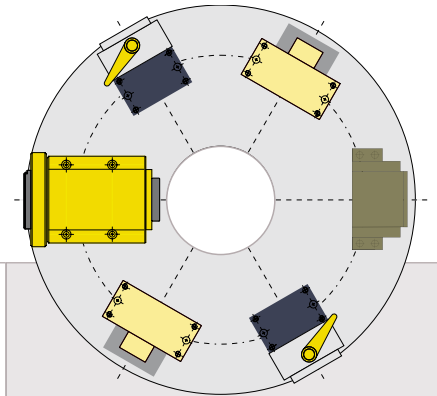
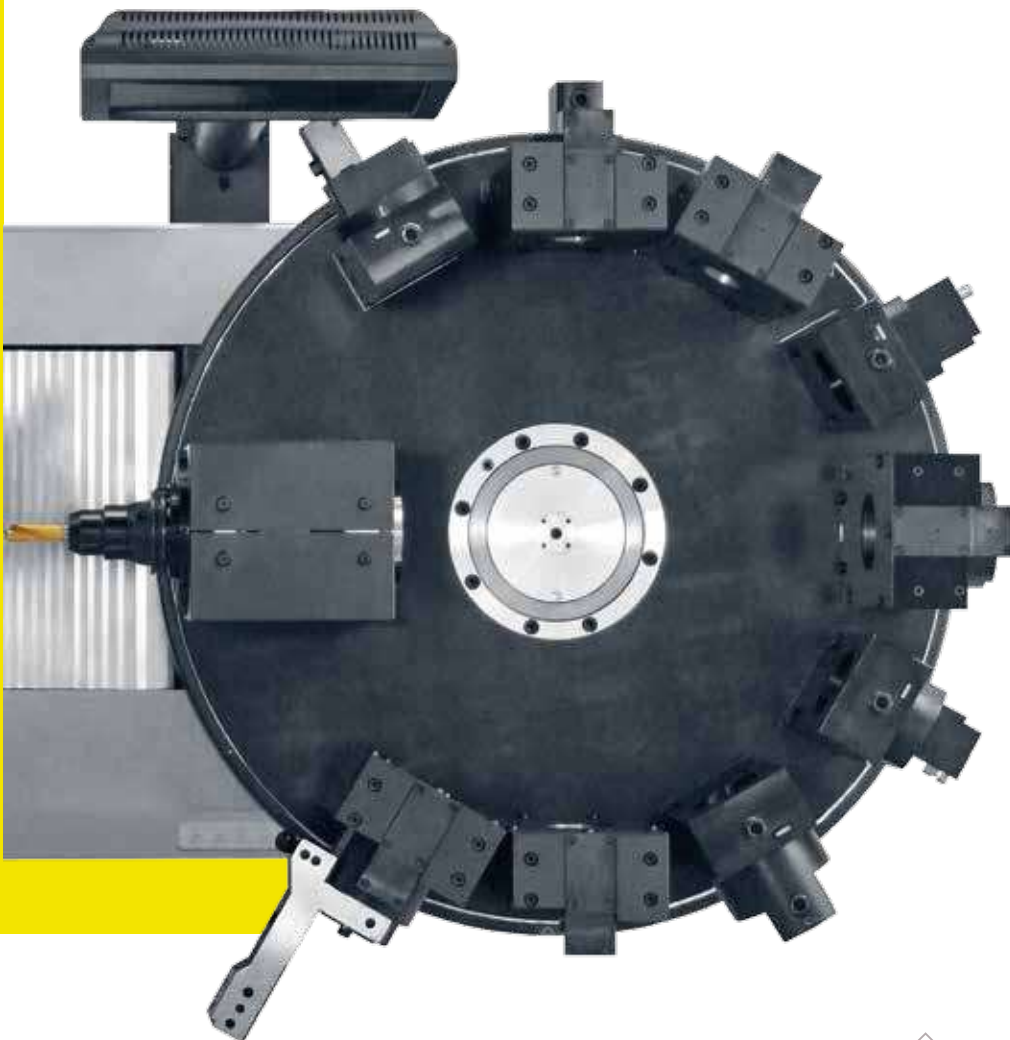
- Modular design
- Pneumatic slide clamping and one-hand operating handle
- Machine table with integrated, lockable doors
- Extra storage boards for adapters and tool posts
- Cockpit for monitor, keyboard, mouse, printer and other accessories
- Metal bellow covers over guide and measuring system
- Electronic fine adjustment
- Manual infinite fine adjustment*
- Remote maintenance
- Adapter and machine management
- Image processing »pilot 3.0« with standard functions and measuring programs
- Manual design
- CNC control unit*
- Tool management with ZOLLER TMS Tool Management Solutions/GOLD, SILVER, BRONZE package* and more

*Option

ZOLLER turret tables

Well thought out and easy to operate

Turret table does not equal turret table!
ZOLLER turret tables are extremely robust, easy to handle and operate with absolute precision.



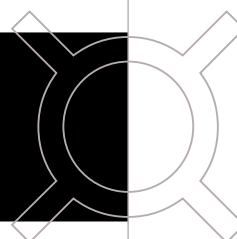
Loading D 745 – 6-fold pitch

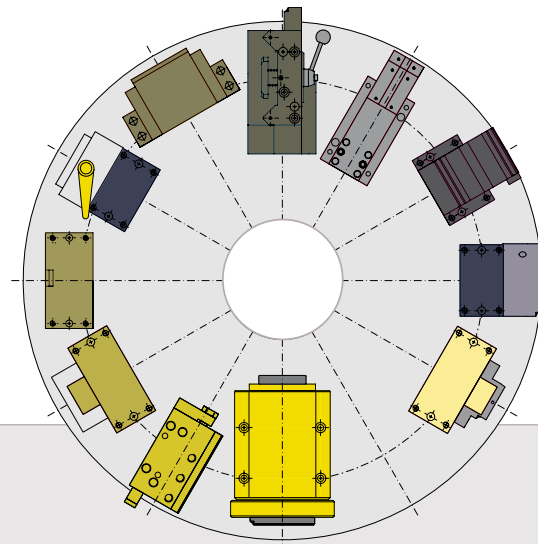
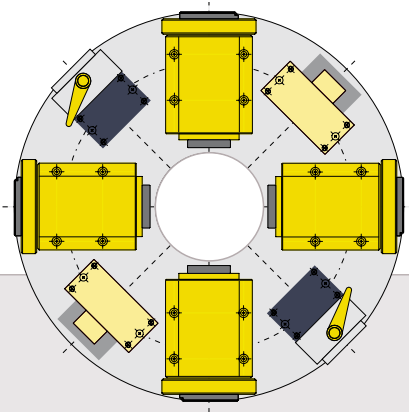
For different tool holding fixtures.
By swiveling the turret table, the user always has the correct tool holding fixture in the measuring range.

ZOLLER turret tables do not sag, even with long oversize or heavy tools. They turn very easily and without stop into the desired position. The pneumatic and electric elements are docked automatically. Lifting and lowering is power-operated per push of a button, lowering is monitored electronically and displayed optically.

Fitting the ZOLLER turret tables with tool holding fixtures depends entirely on your requirements. You can choose between 4, 6, 8 and 12 partitions and a number of possible tool holding fixtures.

robust
easy handling
precise





— Loading D 745 – 8-fold pitch

For four universal holding fixtures HGH-UZ, two basic holding fixtures GA-PP and two basic holding fixtures GA. The number of adapters and tool posts that can be used is virtually unlimited.

— Loading D 900 – 12-fold pitch

Universal holding fixture HGH-UZ for rotating and stationary tools – special tool holding fixtures for Göltensbott, Schütte, Traub, Index and others can also be fitted.



Docking and support

The intelligent docking system for electric and pneumatic elements allows smooth rotation of the turret table.



Automatic zero point selection

Automatic zero point selection (optional) via positioning of the turret table is possible with the »hyperion 500/700«.



Foot switch

For clamping and unclamping the tools in the tool holding fixture (optional).

Two loading stations: ergonomic and comfortable

ZOLLER turret tables are equipped with a second loading station to allow ergonomic front-loading of heavy and large tools.



Universal holding fixture and tool posts

Guaranteed rapid change

The universal holding fixture H6H-UZ enables fast, easy and micro-precise changing of tool posts via ball bushings with a quick change device for clamping elements of any design. It is fitted with a 4 x 90° indexing device for positioned mounting of the lathe tools as well as a power-operated spindle brake and can be supplied with autofocus and/or rotary encoder.



Universal holding fixture H6H-UZ

Changing accuracy 1 µm, concentricity 2 µm



Tool posts/steep tapers with clamping element tension (clamping element not shown)



Tool post HSK with integrated clamping device



Tool post Capto with integrated clamping device



Tool post VDI cylinder shank with integrated clamping device



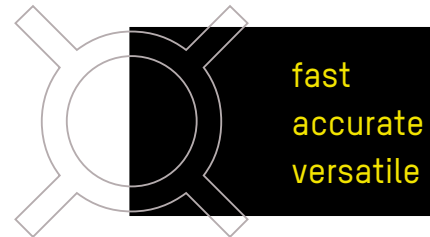
Tool post Kennametal with integrated clamping device

Tool posts can be supplied for virtually all tool holding fixtures, including Citizen, Gildemeister, Haas, Hardinge, Hydromat, Index, Mazak, Mori-Seiki, Okuma, Star, Traub and many others.

Basic holding fixture GA/GA-PP and adapters

For virtually all tool systems

The basic holding fixture GA is designed for manual change of adapters. Adapters can be supplied for nearly all the different tool holding fixtures and are all designed for manual clamping of the tools.



VDI straight shank adapter



Adapter HSK



Storage tray for adapters,
clamping elements, tool posts
and much more.



Basic holding fixture GA

Other tool and machine systems

Tool holding fixtures can be supplied for virtually all tool systems and machine systems, for example, Benzinger, Comau, Dörries, Imac, Index, Mori-Seiki, Nakamura, Schütte, Star, Takisawa, Tornos, Traub and many more.



1_ Basic holding fixture GA-PP for power-operated clamping of the adapters and tool holders (tool holder clamping as far as technically possible).

2_ Tool holding fixture for Traub TNL 18. Angle adjustment is manual via a hand wheel, the angle position is displayed, printed and outputted control-oriented on the »pilot 3.0« controls (optional).

3_ Göltenbodt basic holding fixture with rapid changeable and presettable flat shaped tool holders.

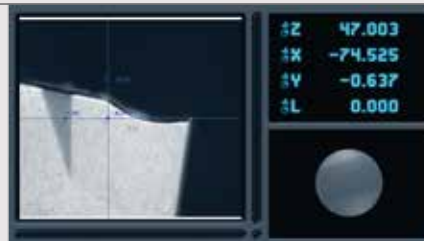
Optic adjustment ± 50 mm

Accurate measurement on the Y-axis

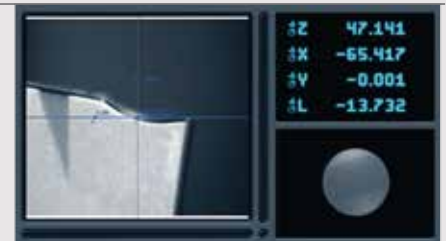
The optic adjustment was developed specifically for the horizontal ZOLLER tool presetter and measuring machines to be able to also measure and preset the tool cutting edges on the y-axis. Adjustment travel is ± 50 mm and is fitted with manual fine adjustment and a hand wheel or, optionally, with a CNC axis.

Manual fine adjustment or CNC-controlled

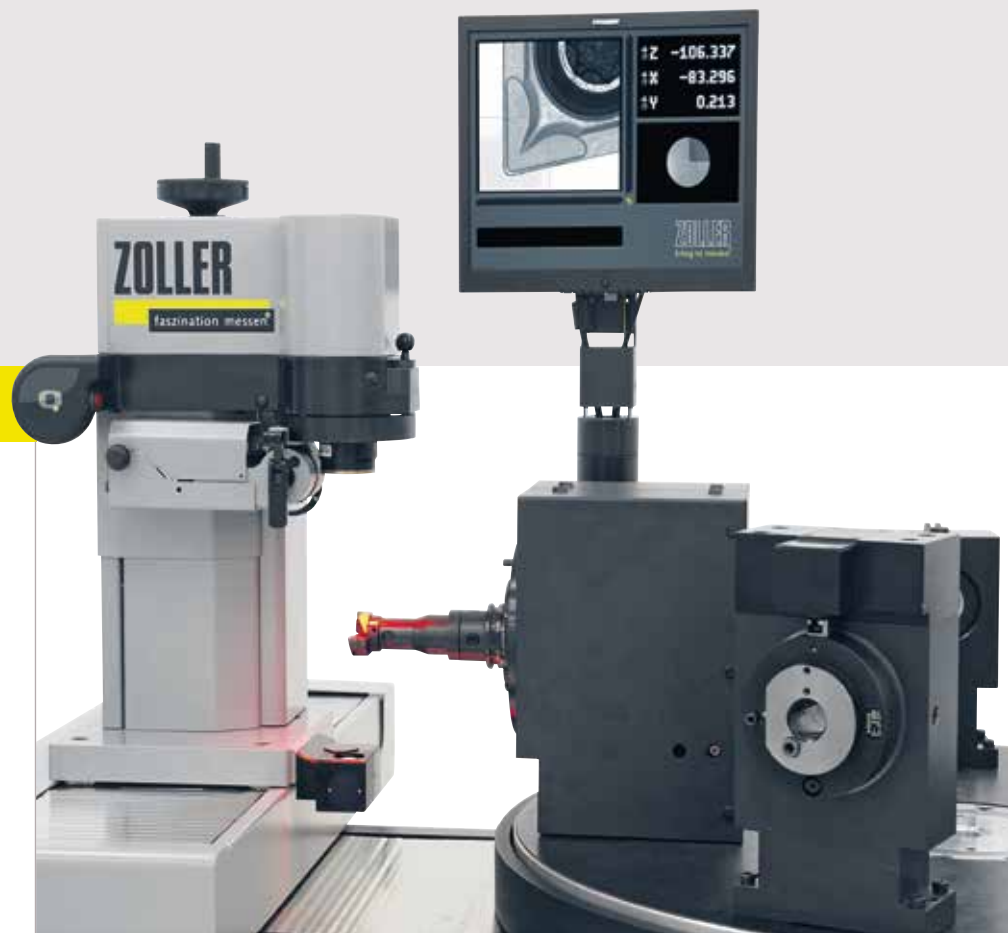
Optic adjustment for measuring and tool presetting above or below the center height, particularly for multiple holders as well as tools with Y-offset.



The counter for the Y-axis displays -0.637 mm. This is the correction value that can be put in the controller format used on the CNC machine.



The Y counter displays -0.001 mm. The turning tool is set manually to this center height by fitting inserts or readjusting of the tool holder to center height.

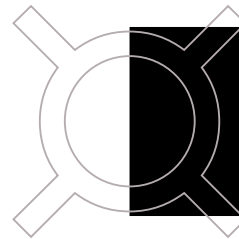


Optic adjustment ± 50 mm,
manual adjustment via hand wheel

Center height measuring device

Presetting to center height

The additional fitting of a dial gauge or CCD incident light camera allows measurement and precise presetting of the center height of the tool cutting edges.



reliable
easy to operate
precise

Dial gauge

Dial gauge with 0.01 mm division and measuring sensors for normal and overhead cutting tools.



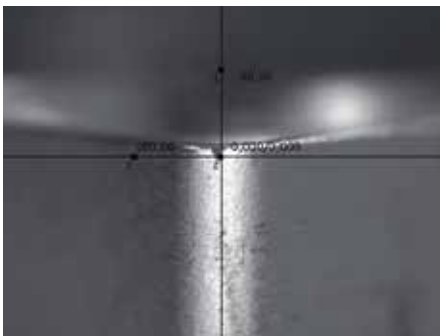
Rotatable CCD incident light camera with centered lighting

Center height measurement device with swivable CCD incident light camera and centered LED lighting is in horizontal position during standardized measuring for safety reasons (see page 20). The camera

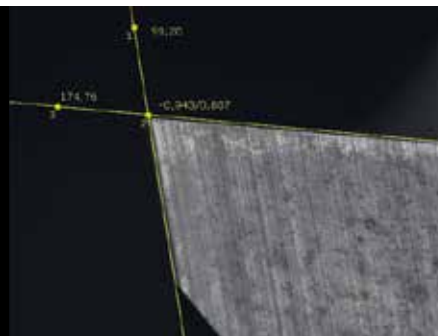
is rotatable in 3 positions for measuring tool cutting edges in incident light. This allows tools to be measured from the front, the left or the right side depending on the cutting direction of the tools.



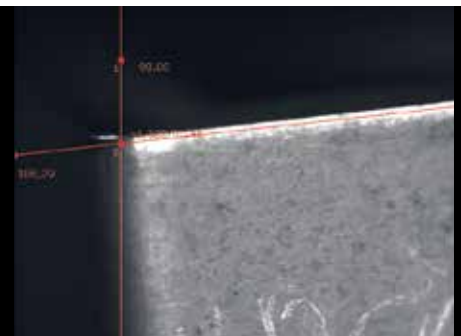
Brilliant display of cutting edges and intuitive operation



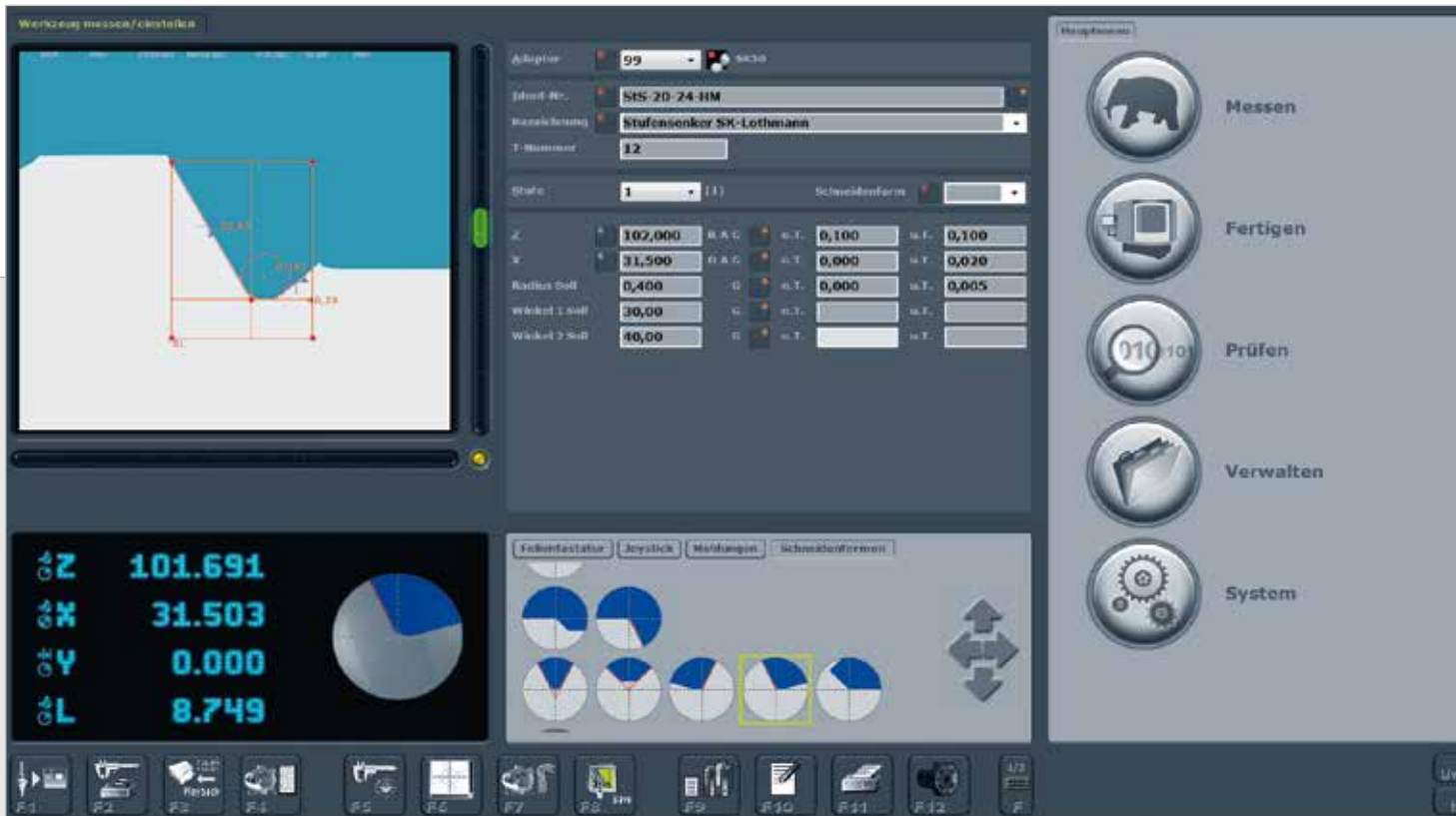
Fixed crosshairs for presetting and measuring of the center height.



Rotating and sliding crosshairs for the measurement of effective cutting and clearance angles.



Color change for contrast optimization.



The starting menu of »pilot 3.0« offers direct access to virtually all functions.

— Measuring and presetting:
a new experience in ergonomic operation



»elephant« technology for measuring and presetting without any data entry or previous knowledge. Standard tools are displayed realistically and measured 100% automatically once selected. This function requires autofocus and CNC.

— Manufacturing:
the efficient design of manufacturing processes



The tool lists/setting sheets for the parts that you want to manufacture on the respective tool machines are stored in the machine management system for each tool machine. The image processing »pilot 3.0« stores your tool programs in exactly the same manner as you file your „workpiece programs“ in your programming system. This means savings in time for repeat processes and staying the critical step ahead of the competition.

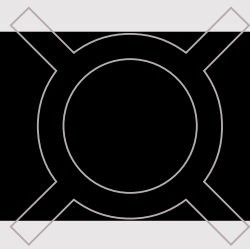
ZOLLER image processing »pilot 3.0«

Ready for virtually any requirement - fast and simple

»pilot 3.0« fulfills all manufacturing needs and despite its comprehensive performance profile it is above all: user-friendly. Discover the easy access to the world of tool measurement via the menu buttons of the start menu and gain a first impression of the performance potential of »pilot 3.0«. Best of all, test image processing live - and bring your tools with you.

The »pilot 3.0« image processing technology sets standards: the design of the start menu is oriented along the tasks which the operator has to fulfill. Your benefit: easy orientation and use of the software depending on the functional area and its needs. The modular design ensures that you also remain flexible in the future.

easy to operate
easy to learn
modular design

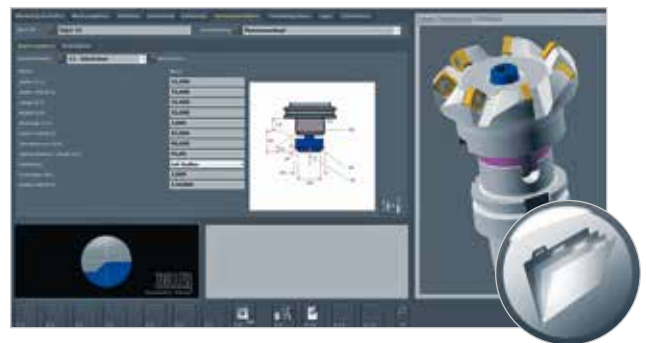


■ Inspection: Trust, but verify



The dimmable LED lighting ensures brilliant display and inspection of cutting edges. Tools can be inspected and measured under transmitted or incident light using the »metis« tool analysis system. Inspection reports are easy to generate for detailed documentation or reliable evidence.

■ Management: organization means order



With »pilot 3.0« you can install additional software packages via the ZOLLER TMS Tool Management Solutions to give you complete overall management of your operating equipment. Nothing is left to chance, you manufacture efficiently and secure jobs.

SOFTWARE SOLUTIONS – managing tools

Simply better organized

As an expert for tool organization, our ZOLLER TMS Tool Management Solutions offer you tailor-made solutions to meet your requirements in terms of optimizing your tool and stock management as well as tool-based manufacturing organization. Our software packages BRONZE, SILVER and GOLD are of modular design, can be updated and are easy to implement.

ZOLLER TMS Tool Management Solutions ensures consistency of the data throughout the process chain: you can manage your tools from the office or directly at the tool presetter and measuring machine, file your data in the central data base, link to third party systems without problems, and extend functions stepwise with modules.

BUSINESS SOLUTIONS – from A–Z

Service all the way

Supplying quality at ZOLLER also means being there for you after the sale. With personal assistance and with high quality maintenance models for your ZOLLER tool presetter and measuring machines. The ZOLLER Service Team with its specially ZOLLER-trained technicians is always at your call. For low downtimes and first class service.



You are simply better organized with this software
You minimize your costs – improve on-time delivery – guarantee quality

- Easy data entry and centralized data storage
- Effective set-up of machines
- Optional interfaces to third party systems
- Save time through finding instead of searching
- Reduction of tool costs
- Easy to extend through modular design
- Easy to implement



ZOLLER offers you unique support and service – worldwide. This starts with preventive maintenance for a long service life, precision and reliability. And is complemented by quality certificates, calibration services and targeted training measures to ensure that your entire hardware and software are always in top condition. Extremely well trained and equipped ZOLLER service employees are available to install and service the measuring machines.

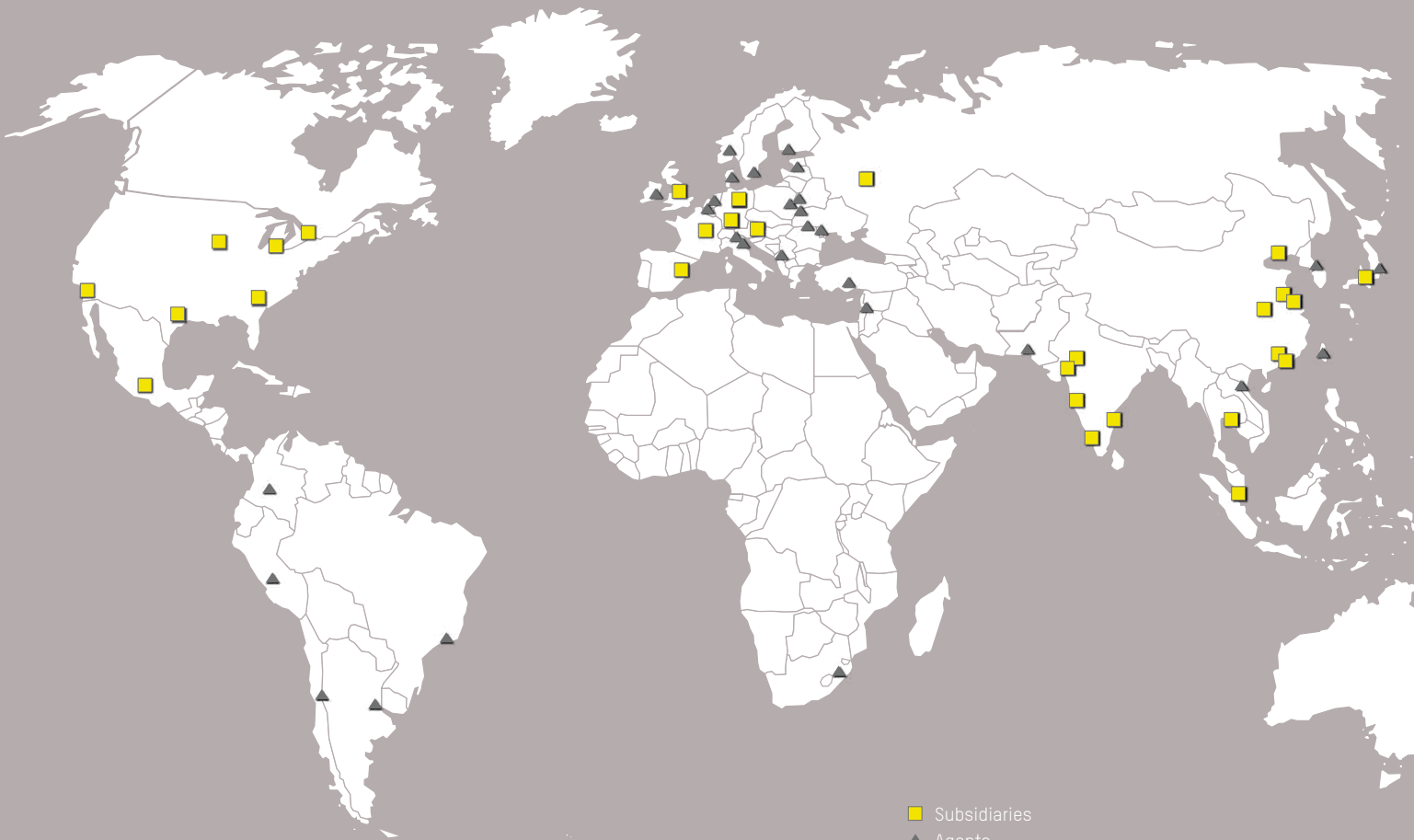
The competent ZOLLER hotline offers you support in all questions pertaining to applications and services. A call is all it takes:

Telephone +49 7144 8970-0

- Training and courses on numerous application fields
- Full service maintenance contract
- ISO 9000 check with calibration certificate
- Capability testing of measuring machines
- Calibration of machines
- Proof of accident prevention regulations
- Software updates and hardware upgrades
- Modification and retrofitting of mechanical, optical and electronic components

At your call everywhere

At home in Germany – at your call worldwide



■ Subsidiaries
▲ Agents

GERMANY

HEAD OFFICE | E. Zoller GmbH & Co. KG | Tool presetter and measuring machines
Gottlieb-Daimler-Straße 19 | D-74385 Pleidelsheim
Tel: +49 7144 8970-0 | Fax: +49 7144 8060-807
post@zoller.info | www.zoller.info

ZOLLER NORTH

E. Zoller GmbH & Co. KG | Service and Distribution Center
Wohlenbergstraße 4 c | D-30179 Hanover
Tel: +49 511 676557-0 | Fax: +49 511 676557-14
zollernord@zoller-d.com | www.zoller.info



EUROPE

AUSTRIA

ZOLLER Austria GmbH
Tool presetter and measuring machines
Haydnstraße 2
A-4910 Ried im Innkreis
Tel: +43 7752 87725-0
Fax: +43 7752 87726
office@zoller-a.at | www.zoller-a.at

FRANCE

ZOLLER S. à. r. l.
11, rue du Tanin
F-67380 Lingolsheim
Tel: +33 3 8878 5959
Fax: +33 3 8878 0004
info@zoller.fr | www.zoller.fr

UNITED KINGDOM

ZOLLER UK Ltd.
Faraday House, Tomlinson Business Park,
Woodyard Lane
GB-DE65 5DJ Foston, Derbyshire
Tel: +44 1283 585933
Fax: +44 1283 585181
info@zoller-uk.com | www.zoller-uk.com

OVERSEAS

USA

ZOLLER Inc.
North America Regional Headquarter
3753 Plaza Drive
USA-48108 Ann Arbor, MI
Tel: +1 734 332 4851
Fax: +1 734 332 4852
sales@zoller-usa.com | www.zoller-usa.com

ZOLLER Inc. Pacific
3882 Del Amo Blvd., Suite 603
USA-90503 Torrance, CA
Tel: +1 424 247 0180
sales@zoller-usa.com | www.zoller-usa.com

CANADA

ZOLLER Canada
5659 McAdam Road, Unit A2
CAN-L4Z 1N9 Mississauga, ON
Tel: +1 905 712 0100
Fax: +1 905 712 1623
sales@zoller-usa.com | www.zoller-usa.com

MEXICO

ZOLLER Mexico
Calle 53, LT-24, C-21
Bosques de la Hacienda
MEX-C.P. 54715 Cuautitlan Izcalli
Estado de México
Tel: +52 55 5817 4654
Fax: +52 55 5817 4565
sales@zoller-usa.com | www.zoller-usa.com

SPAIN + PORTUGAL

ZOLLER Ibérica S.L.
Balmes 186 2º 1ª
E-08006 Barcelona
Tel: +34 932 156 702
Fax: +34 935 198 014
correo@zoller.info | www.zoller.info

RUSSIA

LLC ZOLLER Russia
Chaussee Entuziastov,
56 build.32
RU-111123 Moscow, Russia
Tel: +7 495 22140-58
Fax: +7 495 22140-91
info@zoller-ru.com | www.zoller-ru.com

AGENTS

Belarus, Belgium, Bulgaria,
Croatia, Czech Republic, Denmark,
Estonia, Finland, Hungary,
Ireland, Israel, Italy, Latvia,
Lithuania, Netherlands, Norway,
Poland, Romania, Slovakia,
Slovenia, Southern Tyrol, Sweden,
Switzerland, Turkey, Ukraine,
Argentina, Brazil, Chile, Colombia,
Peru, South Africa, Australia,
Korea, Pakistan, Taiwan, Vietnam



INDIA

ZOLLER India Private Ltd.
Plot No. RM 104, 'G' Block
Sanjeevani Complex, Shahu Nagar,
Near KSB Chowk, Chinchwad,
Pune 411019 Maharashtra, India
Tel: +91 20 2749 6118
Fax: +91 20 2749 6114
info@zoller-in.com | www.zoller-in.com

CHINA

ZOLLER Shanghai, Ltd.
Asia Pacific Regional Headquarter
No. 1588 ZhuanXing Road
Xin Zhuang Industry Park
Min Hang District
RC-201108 Shanghai
Tel: +86 21 3407 3978
Fax: +86 21 6442 2622
info@zoller-cn.com | www.zoller-cn.com

HONG KONG

ZOLLER Asia Pacific, Ltd.
10A Seapower Industrial Centre
177 Hoi Bun Road, Kwun Tong
RC-Kowloon, Hong Kong
Tel: +86 21 3407 3978
Fax: +86 21 6442 2622
info@zoller-cn.com | www.zoller-cn.com

JAPAN

ZOLLER Japan K. K.
5-14, Kawagisi-Cho,
Suita-Shi
JP-564-0037 Osaka, Japan
Tel: +81 6 6170 2355
Fax: +81 6 6381 1310
info@zoller-jp.com | www.zoller-jp.com

THAILAND

ZOLLER Singapore Pte. Ltd.
65/26 Moo 4 Don Hua Roh
Muangchonburi Chonburi
TH-20000 Thailand
Tel: +66 38149756
Fax: +66 38149757
info@zoller-in.com | www.zoller-in.com

INDONESIA

ZOLLER Singapore Pte. Ltd
(Indonesia Representative Office)
Alam Sutera Town Centre Block 10 C No. 15,
Jl. Boulevard Alam Sutera
ID-Serpong – Tangerang 15325, Indonesia
Tel: +62 29211 445
Fax: +62 29211 445
info@zoller-in.com | www.zoller-in.com

ZOLLER

solutions

PRESETTING SOLUTIONS

Presetting & measuring

SOFTWARE SOLUTIONS

Managing tools

INSPECTION SOLUTIONS

Inspection & measuring

BUSINESS SOLUTIONS

from A-Z

ZOLLER solutions - comprehensive optimization of your manufacturing operations. We combine machines, software and services to individual system solutions to improve quality, efficiency and productivity. As a customer of ZOLLER not only do you benefit from our know-how as market leader in the field of tool measurement technology, but equally from our claim as a family-run business to guarantee you a sustainable competitive advantage and thus make a measurable contribution to your success.

Subject to technical modifications. The depicted machines may include options, accessories and control variants. BRHYP-00-EN 10/2013
Concept & design: www.absicht.ag



www.zoller.info



E. Zoller GmbH & Co. KG | Tool presetter and measuring machines
Gottlieb-Daimler-Straße 19 | D-74385 Pleidelsheim
Phone: +49 7144 8970-0 | Fax: +49 7144 8060-807
post@zoller.info

ZOLLER
expect great measures®